

4

3

2

1

PART NUMBER	DESCRIPTION	QTY.
03-008-SBI	HANDRAIL SADDLE BRACKET-INT	1
03-008-SBT	HANDRAIL SADDLE BRACKET-TERM	2
013589	SURFACE MOUNT TAB	3
013121	3/8 x 3/4 LG FEMALE BARREL	3
013145	3/8 x .395 LG MALE BARREL	3
016467	#10 x 3/4 FLAT HEAD SCREW	6
729899	POST-TO-POST TOP RAIL	1
734633	DECK-MOUNT INTERMEDIATE POST	1
734480	TERMINAL POST	2

POST-TO-POST TOP RAIL

SURFACE MOUNT TAB

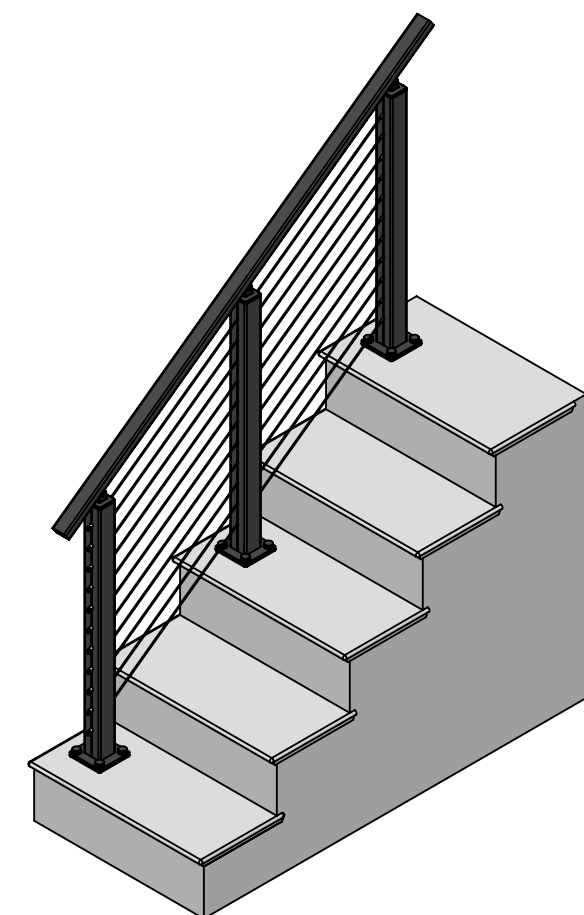
3/8 MALE BARREL

3/8 FEMALE BARREL

BRACKET BASE

TERMINAL POST

TERMINAL POST



POST-TO-POST TOP RAIL

SURFACE MOUNT TAB

#10 x 3/4 FLAT HEAD SCREW

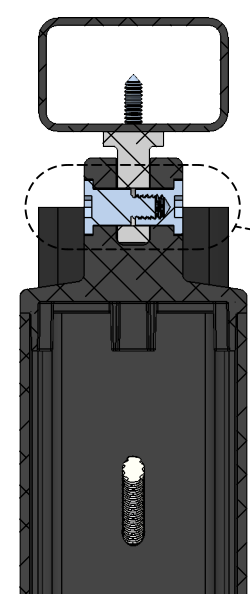
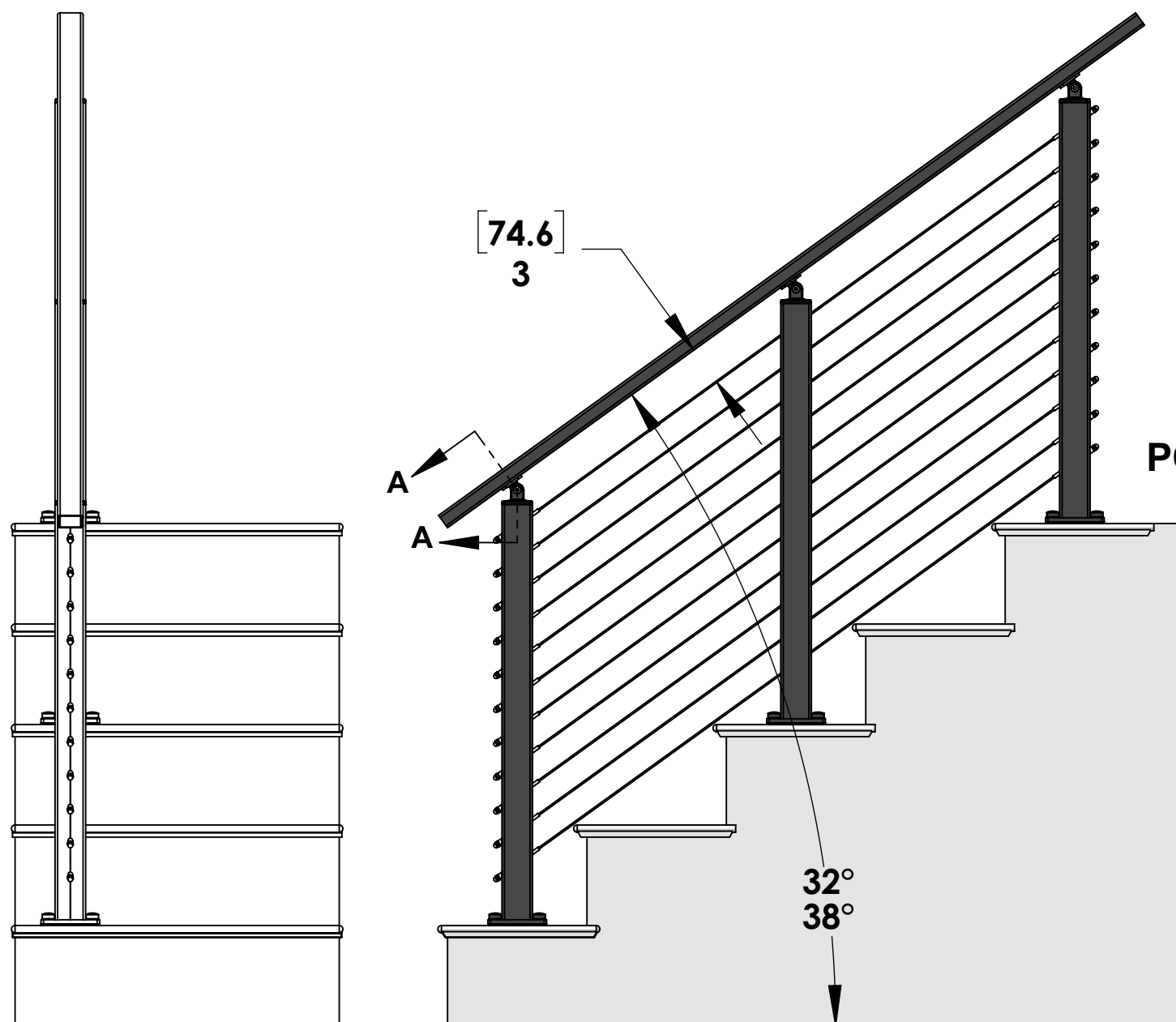
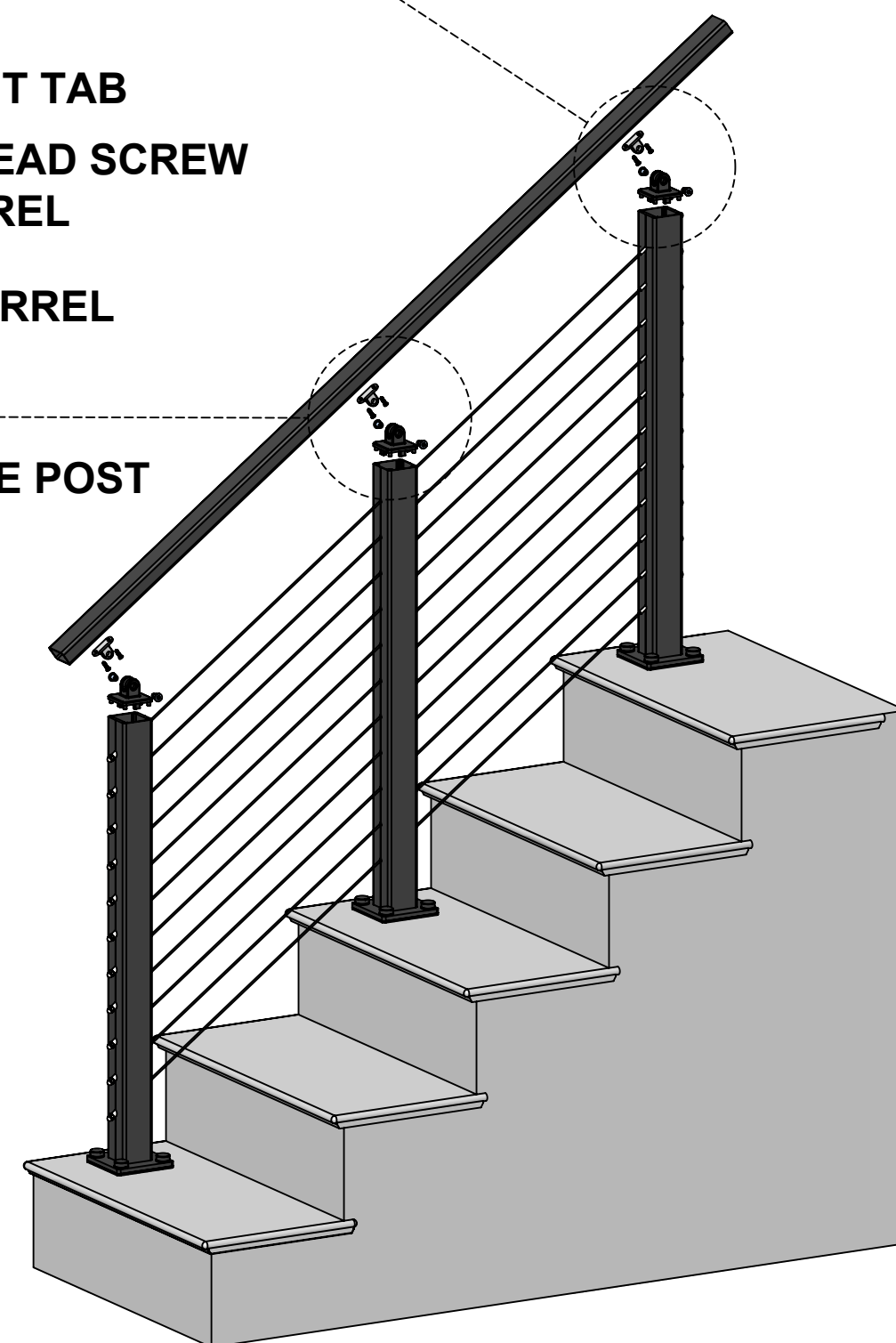
3/8 FEMALE BARREL

3/8 MALE BARREL

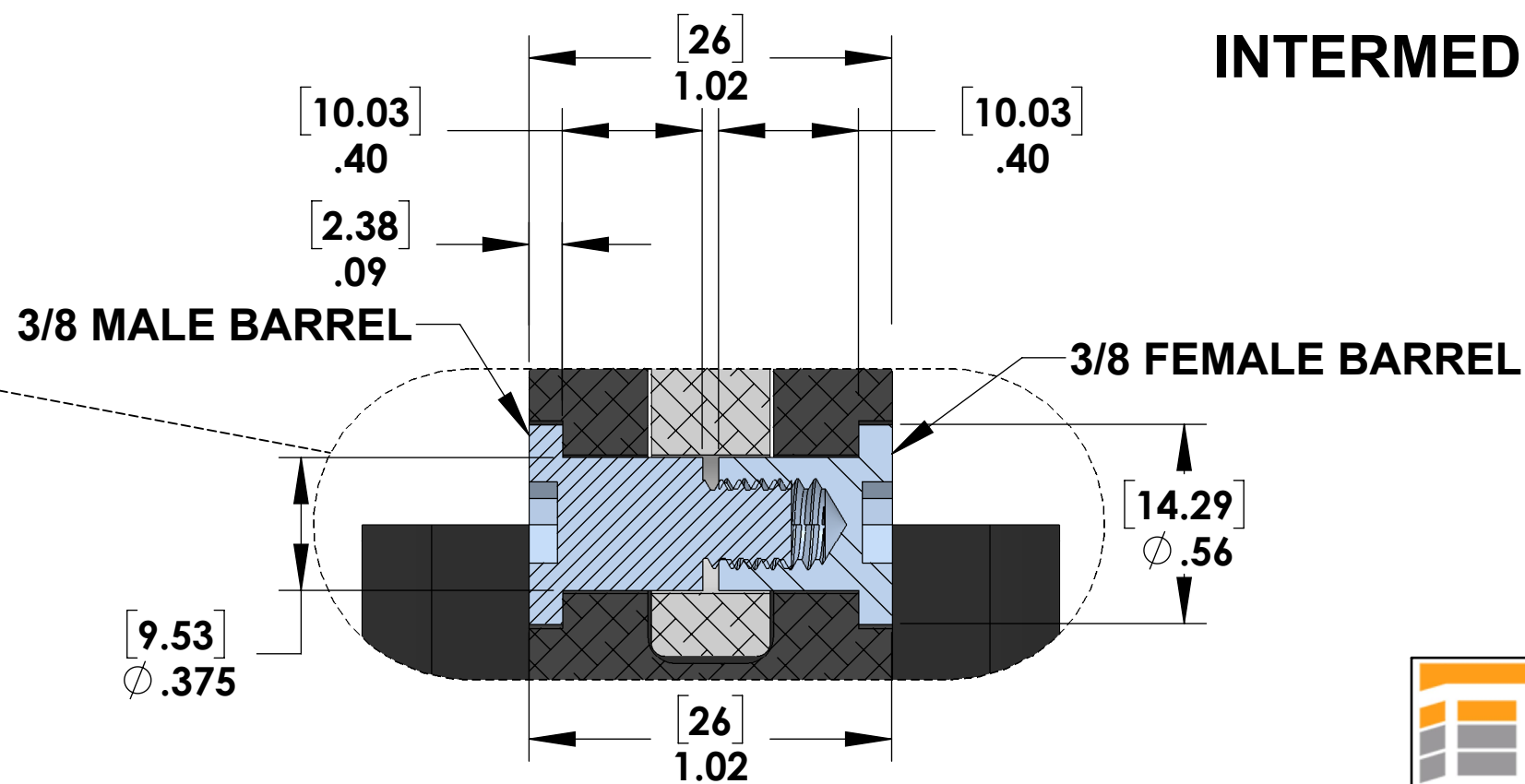
INTERMEDIATE POST

BRACKET BASE

INTERMEDIATE POST



SECTION A-A
SCALE 1 : 2



HANDRAIL SADDLE BRACKET ASSEMBLY POSITION



PROPRIETARY AND CONFIDENTIAL

THE INFORMATION CONTAINED IN THIS DRAWING IS THE SOLE PROPERTY OF STAINLESS CABLE AND RAILING. ANY REPRODUCTION IN PART OR AS A WHOLE WITHOUT THE WRITTEN PERMISSION OF STAINLESS CABLE AND RAILING IS PROHIBITED.

NOTES: UNLESS OTHERWISE SPECIFIED

- DUAL DIMENSIONS SHOWN - INCHES [MM].
- MACHINED SURFACES TO BE 63µIN MAX.
- PART TO BE FREE OF BURRS AND SHARP EDGES.
- ALL MATERIAL TO BE CLEAN, DEGREASED AND FREE OF ALL IMPURITIES.
- ANY CHANGE MUST BE AUTHORIZED BY AN SC&R ENGINEER.

DIMENSIONS ARE IN INCHES	
FRACTIONAL	±
ANGULAR: MACH	±
TWO PLACE DECIMAL	±
THREE PLACE DECIMAL	±
MATERIAL	
FINISH	

NAME	DATE	TITLE:
SCR	03/22/19	POST-TO-POST BRACKET
DRAWN		
ENG APPR.		
MFG APPR.		
COMMENTS:		

SIZE	DWG. NO.	REV
C	POST-TO-POST BRACKET	01
SCALE: 1:12	WEIGHT:	SHEET 1 OF 1

4

3

2

1